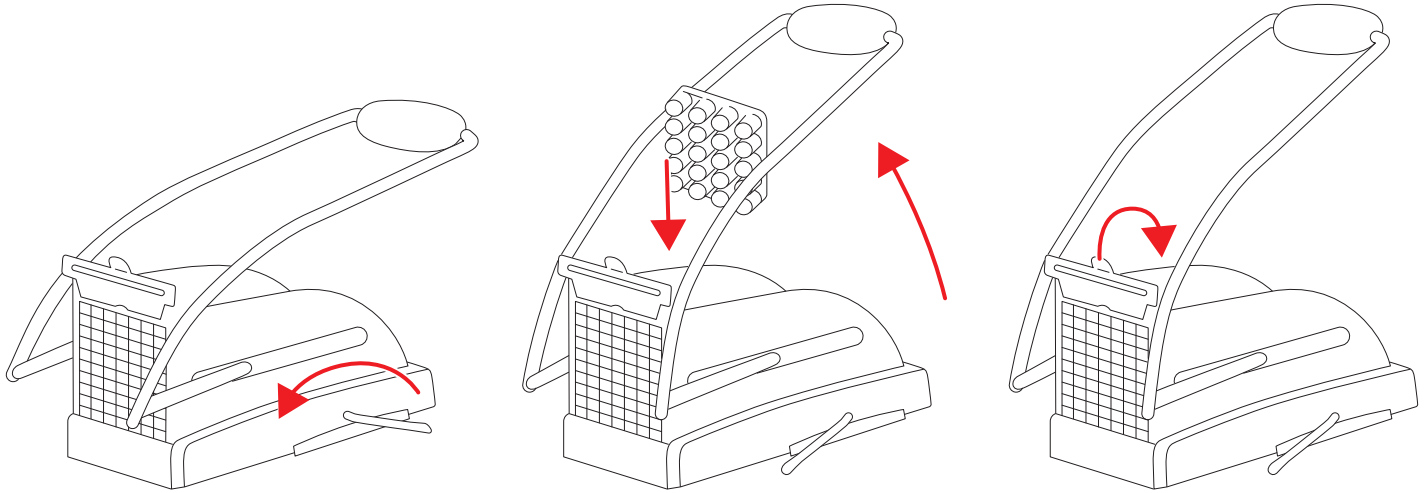
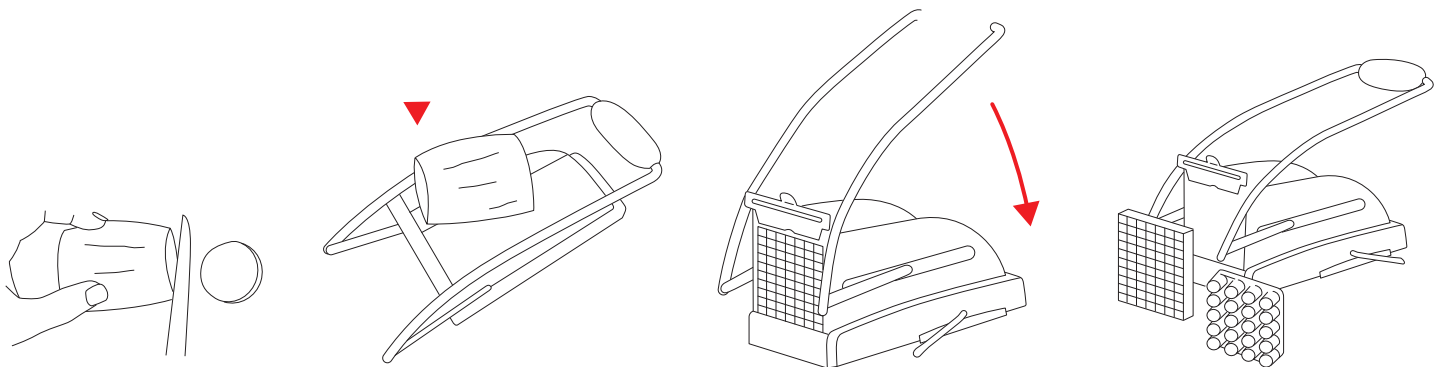


POTATO CHIPPER

INSTRUCTIONS FOR USE



1. Place potato cutter on a stable flat surface. Secure cutter by pressing down and turning the joystick anti-clockwise.
2. Lift handle to an upright position. This will allow you to slide back the Pusher Plate and install the desired pusher that
3. To change the blade, push back the clamp that is on top of the blade frame. Slide in the desired blade and secure the



4. To achieve straight uniform chips trim peeled potatoes into a block shape.
5. Insert potato into the dock of the device and against the cutting frame
6. Push handle down and the back panel will push the potato forward through the blades.
7. Disassemble and wash components in warm soapy water. Dishwasher safe – top shelf only.