

9. Do not pull out the cable to unplug. Do not turn ON and OFF the appliance by connecting it and disconnecting it from the source of electricity.
10. Do not clean the outside of the appliance with water to avoid electric shock. Clean it with a soft cloth.
11. If you are not using the appliance for a long period of time or during the night, you can turn it OFF to save energy.
12. If the supply cord is damaged, it must be replaced by the manufacturer, its service agent or similarly qualified persons in order to avoid a hazard.
13. If the power cable suffers any damage, contact the manufacturer, his service representative or qualified personnel.
14. The equipment must be installed keeping easy access to the electrical plug.
15. **WARNING** - to avoid the risks of an unstable installation, the equipment must be installed following its instructions.
16. **WARNING** - keep the ventilation openings at the back of the appliance uncovered and unobstructed.
17. **NOTICE** - do not damage the refrigerant circuit.
18. The environmental temperature for this appliance should be between 18° C and 38 ° C.
19. The appliance is not to be used by persons (including children) with reduced physical, sensory or mental capabilities, or lack of experience and knowledge, unless they have been given supervision or instruction. Children being supervised not to play with the appliance.

Do not store explosive substances such as aerosol cans with a flammable propellant in this appliance

This appliance is intended to be used in household and similar applications such as

- staff kitchen areas in shops, offices and other working environments;
- farm houses and by clients in hotels, motels and other residential type environments;
- bed and breakfast type environments;
- catering and similar non-retail applications

20. Do not place other appliances inside this equipment unless those are recommended by the manufacturer.
21. Do not store explosive substances such as spray cans inside this appliance.

What to do in case of problems:

First turn off the water dispenser and disconnect it from the source of electricity.

Problem	Possible cause	How to solve
Lights do not lit	1. Appliance is not connected to the electrical system 2. The switch is not ON	1. Make sure that the switch is ON and the plug is connected 2. Turn the switch into ON or turn the timer
Leaking	1. The water container is broken 2. The water pipe is broken 3. The faucet is damaged	1. Replace the water container 2. Replace the water pipe 3. Replace the faucet
Not heating	1. Heating switch is damaged or does not make contact 2. The heating tank is burnt 3. The electrical connection is loose	1. Replace the switch and check the connections 2. Replace heating tank 3. Repair connections
Not cooling	1. Cooling switch is damaged or does not make contact 2. The electrical connection is loose	1. Replace the switch and check the connections 2. Repair connections

This kind of product is used in household and similar environment.

DEVANTI®

WATER DISPENSER

Instruction Manual

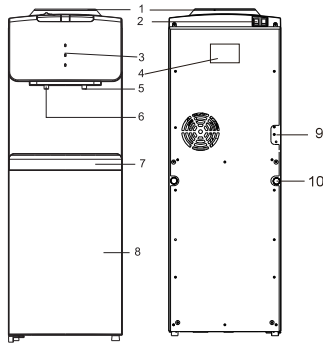
MODEL: WD-5212-BK

Please read the instruction manual carefully before you use this product, and let the use specification be well placed.

Character

- 1.Modern design.
- 2.Energy-saving, low noise, resistant structure and great stability. Suitable for use in homes, hotels, schools, etc.
- 3.The plastic parts of this product use high quality and durable plastic.
- 4.Double security system, "temperature control " and "heating protection". Hot water temperature is always between 80 ° C and 95 ° C, enough to make coffee or tea, or other instant food.
- 5.The water dispenser's cooling system is durable and suitable for use during the summer.
- 6.This product can be used with bottled water or a water purifier.

Parts name



NO.	NAME	NO.	NAME
1	Bottle Seat	6	Hot Water Faucet
2	Power Switch	7	Drip Tray
3	Indicator Lights	8	With Cabinet
4	Information Plate	9	Electric Power Cord
5	Cold Water Faucet	10	Drain Plug

Note: The graphic is for reference only. The current device may have differences with the graphic.

Operation process

- 1.Insert the bottle vertically on the seat and press the water faucets until water flows out of the red hot water faucet.
- 2.Insert the power plug to the wall socket and turn the electric switches to ON position to start the appliance. DO NOT MOVE BOTH SWITCHES AT THE TIME. The HOT Light or COLD Light is ON, Heating or Cooling is on Work Mode. Water is NOT ready yet.The HOT Light or COLD Light is OFF, Heating or Cooling is Complete. Water is ready to drink. Enjoy the hot or cold water you need!

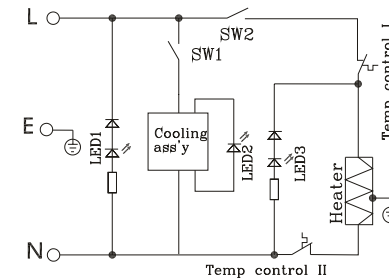
WARNING

1. When positioning the appliance, ensure the supply cord is not trapped or damaged.
2. Do not locate multiple portable socket outlets or portable power supplies at the rear of the appliance.
3. To avoid a hazard due to instability of the appliance, it must be fixed in accordance with the instructions.

Technical Information

Model	WD-5212-BK
Voltage - Frequency	220-240V~ 50/60Hz
Heating power	420W
Cooling power	65W
Water Heating capacity	5.0L/h
Water Cooling capacity	1.0L/h
Prevention of electric shock	Type I

Circuit Illustration



Note: If technical data or the circuit graphic change, the information sheet may not reflect those changes.

Attention

- 1.Make sure to have poured water from the hot water faucet before plugging and switching the appliance ON to heat. If the dispenser is turned ON with an empty water tank, it can be damaged.
- 2.Always install the dispenser indoors, on a flat surface and at a distance no less than 15 cm from the back wall.
- 3.Keep this appliance away from high temperatures and in a dry and ventilated place. Never install it in the open air or under rain or direct sunlight.
- 4.Children should not use the red hot water tap.
- 5.If the appliance is not going to be used for a long period of time, unplug it and drain all water in its interior.
- 6.Before the first use and after a long period of not using it, the water tank and water pipes should be cleaned well. If possible, they should be disinfected and disinfected, and the first heated water must be discarded (switch the heating switch to OFF while draining the system).
- 7.Wash and disinfect the system every 3-6 months with a suitable cleaner and according to its instructions for use.