

LEAF & BEAN

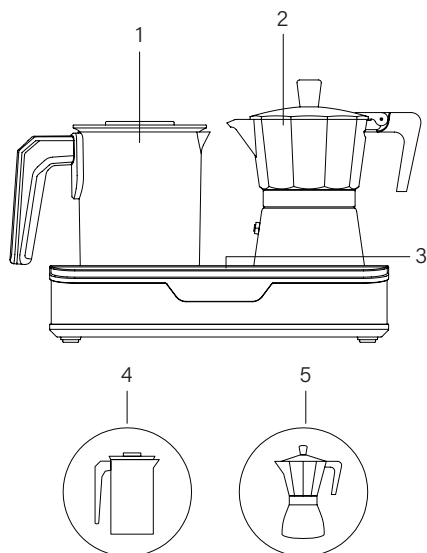
Electric 2 in 1 Espresso Maker & Milk Frother

G0001746

Instruction Manual

Product Overview

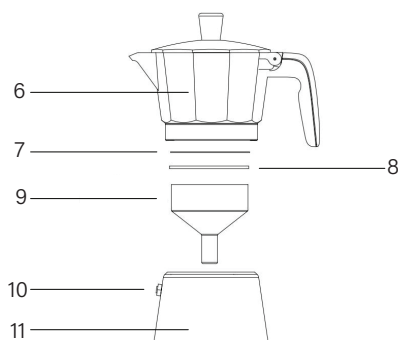
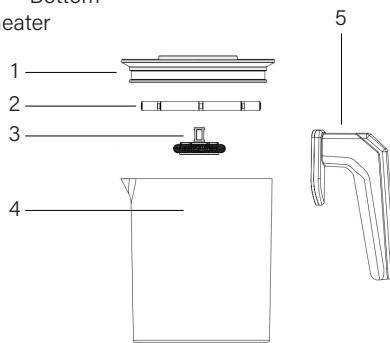
1. Stainless Steel Milk Frothing Cup
2. Espresso Maker
3. Control Panel
4. Milk Frother Heating Plate
5. Espresso Maker Heating Plate



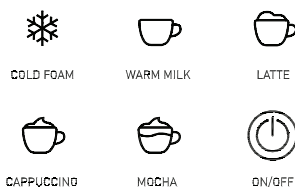
What's in the Box?

1. Lid
2. Lid Seal
3. Mixing Assembly
4. Milk Frothing Cup
5. Handle
6. Top Base

7. Filter basket
8. Gasket ring
9. Funnel filter
10. Safety valve
11. Bottom heater



Control Panel



Single Functionality Functions

1. Cold Foam
2. Warm Milk
3. Latte
4. Cappuccino
5. Mocha Coffee

Dual Functionality Functions

1. Latte
2. Cappuccino
3. Mocha Coffee

Important Safety Instructions

Before using the product, please read this instruction manual carefully and keep it in a safe place!

Safety Warning

When using electrical appliances, basic safety precautions should always be followed, including the following:

1. Read all instructions carefully and keep them for future reference.
2. This appliance is intended to be used in household and similar applications such as staff kitchen areas in shops, offices and other working environments; farmhouses; by clients in hotels, motels and other residential type environments; bed and breakfast type environments.
3. CAUTION: Hot surfaces! Do not touch hot surfaces. During operation, use handle or knobs only.
4. To protect against electric shock, do not immerse cord, plug, or appliance in water or any other liquid.
5. This appliance is not intended for use by persons (including children) with reduced physical, sensory or mental capabilities, or lack of experience and knowledge, unless they have been given supervision or instructions concerning use of the appliance by a person responsible for their safety.
6. Children should be supervised to ensure that they do not play with the appliance.
7. Unplug from outlet when not in use and before cleaning. Allow to cool before cleaning.
8. Do not operate with a damaged cord, plug, or after appliance malfunctions or has been damaged in any manner.
9. If the power cord is damaged, it must be replaced by the manufacturer, a registered service agent or similarly qualified person to avoid hazard.
10. The use of accessory attachments not

recommended by the manufacturer may result in fire, electrical shock or risk of injury to people. Only original parts must be used.

11. Do not use outdoors or for commercial purposes.
12. Do not let cord hang over edge of the table or countertop or touch hot surfaces.
13. Do not place the appliance on or near a hot gas or electric burner, or in a heated oven.
14. To disconnect, unplug from wall outlet by grasping the plug, do not pull the cord to disconnect from power.
15. Do not use this appliance for anything else other than its intended use.
16. This appliance is not intended to be operated by means of an external timer or separate remote-control system.
17. Do not operate the appliance with the upper lid open.
18. No user-serviceable parts inside. refer servicing to qualified service personnel.
19. CAUTION: The heating plates surface is subject to residual heat after use, please avoid touching the heating plates after use.
20. CAUTION: To prevent damage to the appliance do not use alkaline cleaning agents when cleaning, use a soft cloth and a mild detergent.
21. CAUTION: To reduce the risk of electric shock, do not immerse the cord, plug or appliance in water or other liquids when cleaning. If it falls into water, immediately unplug it from the electrical outlet. Do not touch it or reach into the water.
22. Misuse of this appliance can potentially cause injury.
23. Cleaning and user maintenance shall not be made by children without supervision
24. Coffee maker shall not be placed in a cabinet when in use

Technical Information

Voltage	220-240V~, 50-60Hz
Power	1200W
Capacity	Milk frothing cup capacity: 500ML Espresso Maker capacity: 150ML

Before First Use

- Before using your Electric 2 in 1 Espresso Maker & Milk Frother, please read these

operating instructions thoroughly and keep them for future reference.

- Carefully unpack the appliance and remove all packaging materials.
- Wipe the milk frothing cup, espresso maker, and all accessible parts with a damp cloth or soft sponge.
- Ensure all components are properly assembled before plugging in the appliance.
- Plug the appliance into a suitable wall outlet and allow it to enter standby mode. The unit is now ready for first use.
- For first-time use, it is normal for the appliance to emit slight steam or odor as internal components reach operating temperature.

Operating Instructions

Getting Started

1. Plug in the machine. A beep will sound.
2. All icons will light up briefly, then turn off.
3. The power button stays on to indicate it is in standby mode.
4. Press the power button to activate all functions.

Control Panel Buttons:

Cold Foam | Warm Milk | Latte | Cappuccino | Mocha | ON/OFF

Note:

- Left plate = milk frother
- Right plate = espresso maker
- Both plates can work together for dual-function use.

Single-Function Mode

- Use either the milk frother or the espresso maker individually.
 - All four milk functions—Cold Foam, Warm Milk, Latte, and Cappuccino—can be used as single milk-only functions
1. Open the lid and insert the stirring/mixing head securely at the bottom of the frother cup.
 2. Pour milk into the cup, keeping the level between the MIN and MAX marks. Do not overfill to prevent overflow.
 3. Cover the cup and place it on the left

heating plate.

4. Press the power button. When the power button illuminates, all function icons will light up.
5. Press power, then select your desired function:
 - Cold Foam → 3 min average run time
 - Warm Milk → 5 min average run time with milk temperature as (~65°C)
 - Latte Foam → 3 min average run time with milk temperature as (~65°C)
 - Cappuccino Foam → 3 min average run time with milk temperature as (~65°C)
6. After 3 seconds, the selected function starts. The light will flash to show it's in operation, and the others function lights will turn off.
7. The function runs for 3–5 minutes, then stops automatically, beeps five times, and returns to standby.
8. Always keep the lid closed during operation

Note:

- Only the left heating plate will operate in milk-only functions.
- Milk temperature in Warm Milk mode: approximately 65°C ± 5°C.

Mocha Mode (Single-Function or Dual-Function)

This mode allows you to brew coffee on its own or pair it with Cold Foam, Warm Milk, Latte, or Cappuccino. It supports both single-function use (coffee only) and dual-function use (coffee plus a milk function).

1. Unscrew the espresso maker and pour 150 ml water into the bottom chamber. Do not exceed the safety valve.
2. Fill the filter funnel with ground coffee. Press firmly, cover with the filter basket, and screw the top chamber on securely.
3. Place the espresso maker on the right heating plate.
4. Turn on the power. When the power button illuminates, press it and then press Mocha.

Single function:

- Press Mocha to brew coffee only.

Dual function:

- Press Mocha, then select Cold Foam, Warm

Milk, Latte, or Cappuccino to operate both functions simultaneously

- Keep the lid closed during operation to prevent splashes.

Function timings:

- Espresso maker: approximately 5 minutes → stops automatically, beeps five times, and returns to standby.
 - Milk frother (Cold Foam/Warm Milk): 3–4 minutes → stops automatically, beeps one time, and returns to standby.
5. Remove the espresso maker immediately once brewing is complete.
 6. The coffee function will automatically shut off ~90 seconds after reaching the set temperature. Duration may vary depending on water volume and starting temperature.

Note:

- The mocha function corresponds to a traditional moka-pot coffee brew. It is designed for coffee extraction only and does not involve chocolate powder.
- Dual function is initiated by selecting Mocha, then selecting one milk function OR selecting a milk function (Latte/Cappuccino) then selecting Mocha. Both sequences are supported.
- Only the right heating plate operates in single-function espresso maker mode

Tips:

- Brewing in the espresso maker takes
- approximately 4–5 minutes from start to finish.
- The active brewing phase lasts about 1–2 minutes once the water begins to boil.
- Coffee will steadily rise into the top base during brewing.
- In the final stage, some bubbling, gurgling, and occasional spurts are normal and should stay within the top base.
- Residual heat may cause brief bubbling in the espresso maker after brewing; remove promptly.
- Always place the frothing cup on the left plate and the espresso maker on the right plate. The unit will not operate if these are misplaced.
- Always keep lids closed and do not overflow

milk or water.

- Do not overflow milk or water above the Max mark.
- Ensure coffee grounds are level and firmly packed for proper brewing.
- Milk frothing is time-controlled: heating stops at the preset temperature, but the full duration is required for proper frothing.
- In dual-function mode, the frother and espresso maker stop at different times
- (frother: 3–4 minutes, espresso maker: 4–5 minutes).
- Ensure that no water enters the appliance's heating plates, as the drainage holes lead into the interior; always keep the area dry.

IsAlbi 12-Month Guarantee

In Australia, our goods come with guarantees that cannot be excluded under the Australian Consumer Law. You are entitled to a replacement or refund for a major failure and compensation for any other reasonably foreseeable losses or damage. You are also entitled to have the goods repaired if the goods fail to be of acceptable quality and the failure does not amount to a major failure. We stand by this product and therefore, we offer a 12-month guarantee. The benefits of this guarantee are in addition to any rights and remedies imposed by the Australian Consumer Law. Our guarantee excludes normal wear and tear and instances where care and use instructions have not been followed.

What IsAlbi will do: During this guarantee period, IsAlbi will repair, replace, or refund any defective product. If identical product is not available for replacement, a similar product may be offered. IsAlbi asks you to cover the cost of postage/transit if the product needs to be sent back to us for inspection. If IsAlbi deems the product is defective, we will reimburse your postage/transit expenses. IsAlbi will be responsible for the postage/transit of the repaired/replacement product back to you.

What to do: If a fault/defect is identified, cease using the product immediately. To make a claim on this guarantee, take the product, proof of purchase, and full details of the alleged defect to the retailer from whom the product was purchased. If you cannot access the retailer or are unsatisfied with the solution offered by the retailer, contact IsAlbi via the details below.

Care:

- Before cleaning, wait 5 minutes until the appliance has cooled down and unplug before cleaning.
- Use mild soapy water and a soft non abrasive sponge to clean the milk frother cup, coffee maker including the water reservoir as well as the filter basket and funnel, then rinse thoroughly.
- Dry thoroughly with a cloth.
- All washable parts are hand-wash only. **WARNING:** to Protect from electric shock, never immerse the cord, plug and appliance in water, the appliance can be wiped with a wet cloth and must be unplugged from the power before cleaning.
- Do not wash the coffee maker in the dishwasher.

IsAlbi

87 Chifley Drive, Preston, Victoria 3072

P: +61 (03) 9474 1300

E: enquiries@isalbi.com.au isalbi.com.au