

KITCHEN PRO



PREP
Salad Spinner 4.2L

IMPORTANT

Read and follow all warnings and instructions before assembly and use.
Keep this manual for future reference.

Specifications

- Model number: 722998
- Dimensions: 22.5x22.5x16.5cm / 4.2L
- Material: ABS, PP, PS, TPE, AS

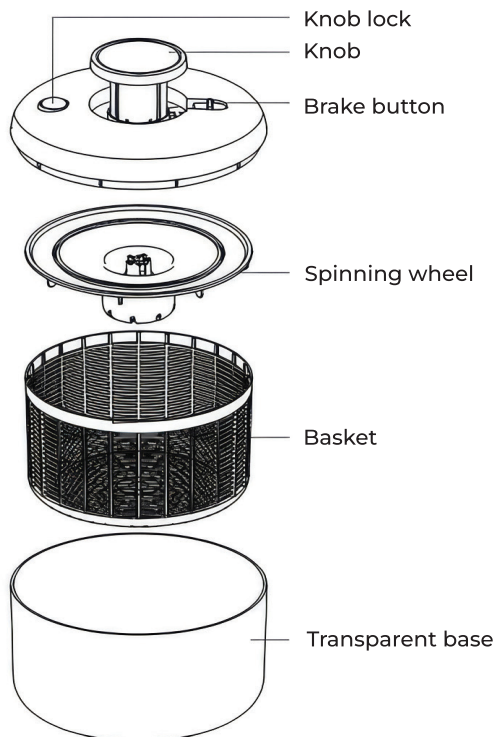
Product features

- BPA-free plastic salad spinner perfect for washing salad and herbs
- Push the knob to spin and dry
- Releases excess moisture without bruising ingredients
- Press the brake button to stop spinning
- Drainage hole on the lid for excess liquid
- Bowl can be used for serving salad

Safety precautions

- Do not overfill the basket.
- Always use the brake button to stop spinning before opening the lid.
- Keep fingers away from moving parts during operation.

Get to know the Kitchen Pro Prep Salad Spinner 4.2L



Product components

1. Knob lock – secures the knob for storage
2. Knob – used to spin the basket
3. Brake button – stops the spinning motion instantly
4. Spinning wheel – drives the basket rotation
5. Basket – holds salad leaves during washing and spinning
6. Transparent base – collects water and allows visibility during use

Operating instructions

1. Fill the basket

Place washed salad leaves evenly into the basket.



2. Unlock the knob

Slide the knob lock outwards to unlock the knob.



3. Spin to dry

Push the knob down repeatedly to spin the basket and remove excess water.



4. Stop spinning

Press the brake button to immediately stop the spinning motion.



5. Lock for storage

- Push the knob down and hold it.
- Slide the knob lock inwards until it clicks into position. This secures the knob for compact, space-saving storage.



Cleaning and maintenance

- Hand washing is recommended for the lid. The bowl and basket are dishwasher safe.
- Dry all parts thoroughly before storage.
- Note: The spinning wheel is not removable.
- Ensure the knob is locked before storing to prevent damage and to save space.

Get in touch with Customer Service

If you experience any issues with your Kitchen Pro Prep Salad Spinner 4.2L, get in touch with our Customer Service team by email at customerservice@kitchenwarehouse.com.au or by phone on 1800 332 934 between the hours of 9am and 7pm (AEST) Monday to Friday.

Warranty

Our goods come with guarantees that cannot be excluded under the Australian Consumer Law. You are entitled to a replacement or refund for a major failure and for compensation for any other reasonably foreseeable loss or damage. You are also entitled to have the goods repaired or replaced if the goods fail to be of acceptable quality and the failure does not amount to a major failure.

The benefits of this warranty are in addition to any rights and remedies imposed by Australian State and Federal legislation that cannot be excluded. Nothing in this warranty excludes, restricts or modifies any State or Federal legislation applicable to the supply of goods which cannot be so excluded, restricted or modified.

Guarantee

We warrant that, subject to the exclusions and limitations below, the Product will be free from defects in materials and workmanship under normal domestic household use for the five year warranty period. The warranty period commences on the date of sale by the original retailer to the original purchaser. The warranty applies only while the Product is owned by the original purchaser.

Use of the Product in a commercial capacity will void this warranty. If a defect appears in the Product before the end of the warranty period and we find the Product to be defective in materials or workmanship, we will replace the Product with a product comparable in quality and value.

We reserve the right to change or discontinue our product ranges at any time without notice and without liability.

Exclusions

This warranty does not apply if proper care and/or usage instructions are not followed. This warranty does not cover scratches, stains, discoloration or damage caused by misuse.

How to claim

If a fault/defect is identified cease using the Product immediately. To make a claim on this guarantee, take the Product, proof of purchase and full details of the alleged defect to any Kitchen Warehouse store.

Limitations

We make no express warranties or representations other than as set out in this guarantee. The replacement of the Product or the refund of the purchase price is the absolute limit of our liability under this guarantee.

KITCHEN PRO

Distributed by Kitchen Warehouse.

Kitchen Pro is a registered trademark of Kitchen Warehouse Pty Ltd.

The printed material appearing in this document and related packaging is protected by copyright. Illustrations in this manual are for reference only and may differ from the actual product.

Kitchen Warehouse Pty Ltd

1 Pensioner Guard Road

North Fremantle, WA, 6159

www.kitchenwarehouse.com.au

1800 332 934

customerservice@kitchenwarehouse.com.au