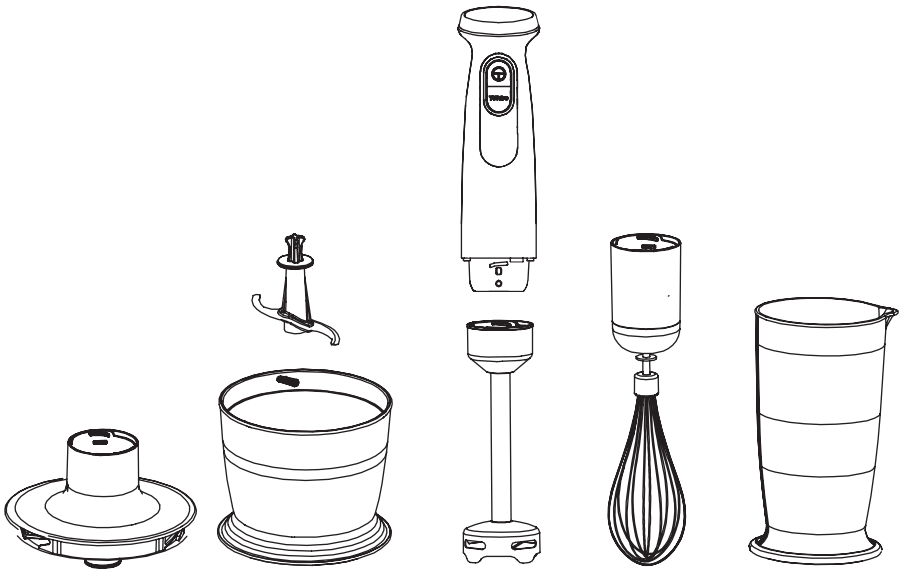


# everten

## STICK BLENDER SET

Owner's Manual



### **IMPORTANT**

Read and follow all warnings and instructions before assembly and use.  
Keep this manual for future reference.

## SPECIFICATIONS

- Model number: 714885
- Voltage: 220 - 240V ~ 50/60Hz
- Power consumption: 1000W

## PRODUCT FEATURES

The Everten Stick Blender Set makes it easy to create delicious smoothies, shakes, soups and sauces with confidence. Featuring a durable stainless steel blending shaft and blade, the set also includes a 700mL blending cup with lid/base, a 500mL chopper bowl, and a whisk attachment, giving you everything you need for versatile, effortless blending.

- What's in the box: 1 x 500mL chopper bowl with top lid, 1 x whisk attachment, 1 x 700mL cup with lid/base
- Stainless steel blending shaft and blades, BPA-free plastic housing
- Powerful 1000W motor
- Variable speed and turbo speed
- Each attachment fits securely to the motor body with a simple 'twist and click' mechanism

## SAFETY PRECAUTIONS

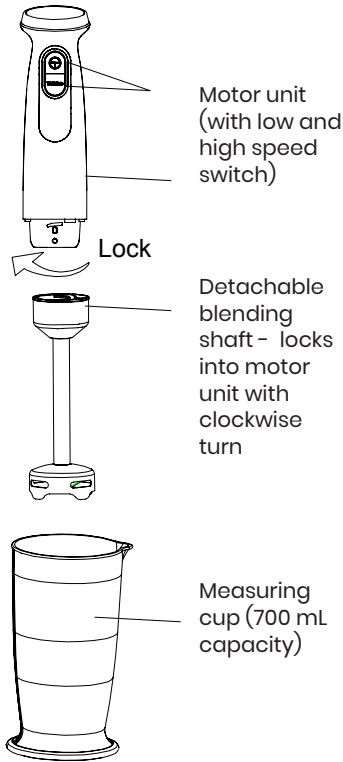
When using this electrical appliance, basic safety precautions should always be followed to reduce the risk of fire, electric shock, and/or injury, including the following:

1. Read all instructions before using.
2. Ensure the voltage is compliant with the voltage range stated on the rating label.
3. If the supply cord is damaged, it must be replaced by the manufacturer, its service agent or similarly qualified persons in order to avoid a hazard.
4. This appliance is not intended for use by persons (including children) with reduced physical, sensory or mental capabilities, or lack of experience and knowledge, unless they have been given supervision or instruction concerning use of the appliance by a person responsible for their safety.
5. Children should be supervised to ensure that they do not play with the appliance.

6. This appliance is intended to be used in household and similar applications such as:
  - A. Staff kitchen areas in shops, offices and other working environments.
  - B. Farmhouses.
  - C. By clients in hotels, motels and other residential type environments.
  - D. By bed and breakfast type environments.
7. To protect against electric shock, do not place the cord, plug or the base of the appliance in water or any other liquid.
8. Do not use attachments or accessories which are not recommended by the manufacturer.
9. The product is only suitable for the purpose indicated in this manual. Do not use this product or any part for other purposes. If it is operated incorrectly, it may cause injury.
10. Always use the appliance on a firm and stable surface and keep it 30cm from other objects and the wall to ensure heat is easily released.
11. Do not place the appliance on or near a hot surface, including a gas or electric stove, or in a heated oven.
12. Do not move the appliance when in use.
13. Not suitable for use with external timers or remote controls.
14. For indoor household use only.
15. Do not place anything on top of the appliance while in operation or when storing.
16. Do not use it with an extension cord. A short power cord is provided to reduce the risk of tripping, entanglement, or children grabbing it.
17. Do not let the cord hang over edges of tables or counters, or touch hot surfaces such as stoves.
18. Never leave the unit unattended while in use.
19. Unplug the appliance when not in use and before cleaning.
20. Do not blend hot liquids.
21. Never immerse the upper part of the blender in water.
22. Keep hands and utensils out of containers while blending.
23. Use the scraper only when the blender is not running.
24. This appliance is not designed for blending hard or dry substances.
25. Blades are extremely sharp, handle with care.
26. Always ensure the bowl is placed properly before adding the cutting blade.
27. Ensure the chopper lid is securely locked in place before use.

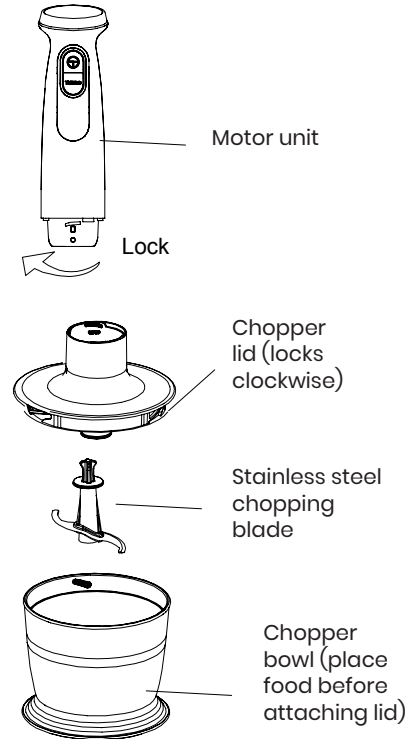
# GET TO KNOW THE EVERTEN STICK BLENDER SET

## Main blender components



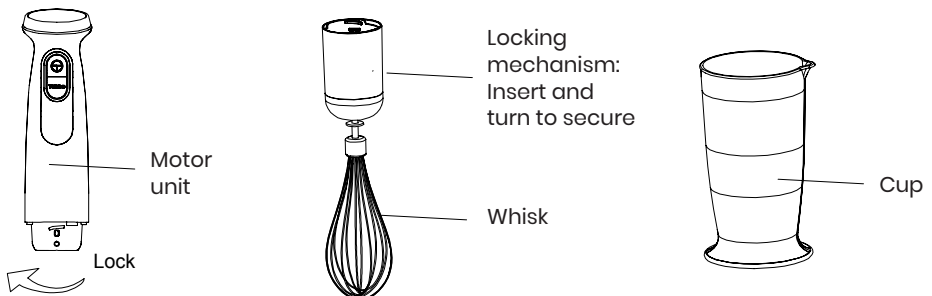
## Chopper:

Used for chopping meat, garlic paste, etc



## Whisk:

Used for whisking egg whites and making cream



# OPERATING INSTRUCTIONS

## Before first use

- Clean all removable parts with warm soapy water.
- Wipe the motor unit with a damp cloth. Do not immerse motor unit in water.
- Ensure all parts are dry before use.

## Using your blender

*Important: Do not run the motor without load for more than 15 seconds.*

1. Ensure the blender is unplugged during setup.
2. Attach the detachable stem to the motor unit. Turn clockwise to lock.
3. Plug the motor unit into a power outlet.
4. Place ingredients into the measuring cup.
5. Lower the blender into the mixture.
6. Press and hold the Low speed button. Adjust the speed control dial for desired blending level (right to left = increasing speed).
7. For maximum speed, press and hold the High speed (Turbo) button.
8. Release the button to stop the appliance.


## Usage limit:

- Max operation time: One minute
- Rest time: Three minutes after every two cycles

## Using the chopper accessory

1. Place the chopper bowl on a flat surface.
2. Insert the chopping blade into the bowl.
3. Add food.
4. Attach the chopper lid, aligning it correctly.
5. Lock the motor unit into the lid with a clockwise turn.
6. Press and hold the Low or High speed button to operate.

7. Release to stop.
8. Unplug before disassembling.
9. Remove the motor, then unlock and remove the lid to access the chopped food.

 **Caution:** Always place the bowl safely on flat surface before adding the blade to prevent injury.

### **Using the whisk accessory**

Max operation time: Two minutes

Rest time: 10 minutes after two cycles

1. Attach the whisk to the motor unit. Turn to lock.
2. Plug in the appliance.
3. Insert the whisk and hold the Low speed button.
4. Adjust the speed dial as desired.
5. For full speed, press and hold the High speed (Turbo) button.
6. Release the button to stop.

## **CLEANING AND MAINTENANCE**

1. Unplug the appliance before cleaning.
2. Do not immerse the motor unit or blending shaft in water.
3. Wash removable parts under running water. Avoid using abrasive cleaners.
4. Dry parts thoroughly and store upright to drain water.
5. Wipe motor unit with a damp cloth only.
6. For a quick cleaning option, place the stick blender in a cup half-filled with water. Run the motor briefly to rinse off food residue.

# WARRANTY

## Get in touch with Customer Service

If you experience any issues with your Everten Stick Blender Set, get in touch with our Customer Service team by email at [customerservice@kitchenwarehouse.com.au](mailto:customerservice@kitchenwarehouse.com.au) or by phone on 1800 332 934 between the hours of 9am and 7pm (AEST) Monday to Friday. Alternatively you can use the Live Chat function on our website by visiting [www.kitchenwarehouse.com.au/contact-us](http://www.kitchenwarehouse.com.au/contact-us)

## 90 day money back guarantee

We promise you a full refund within 90 days if your Everten product does not fulfil your expectations. This guarantee applies to qualified purchases of all Everten branded products from participating stockists online and in-store from eligible delivery locations. The qualified product must be returned within 90 days from the date of purchase. We shall issue a full refund when the customer presents proof of purchase. We shall issue a store credit when proof of purchase is unavailable. The product packaging is not required to avail of the refund. The amount refunded will be the price of the products in the currency shown on the proof of purchase.

## Warranty

Our goods come with guarantees that cannot be excluded under the Australian Consumer Law. You are entitled to a replacement or refund for a major failure and for compensation for any other reasonably foreseeable loss or damage. You are also entitled to have the goods repaired or replaced if the goods fail to be of acceptable quality and the failure does not amount to a major failure.

The benefits of this warranty are in addition to any rights and remedies imposed by Australian State and Federal legislation that cannot be excluded. Nothing in this warranty excludes, restricts or modifies any State or Federal legislation applicable to the supply of goods which cannot be so excluded, restricted or modified.

## Guarantee

We warrant that, subject to the exclusions and limitations below, the Product will be free from defects in materials and workmanship under normal domestic household use for the 12 month warranty period. The warranty period commences on the date of sale by the original retailer to the original purchaser. The warranty applies only while the Product is owned by the original purchaser.

Use of the Product in a commercial capacity will void this warranty. If a defect appears in the Product before the end of the warranty period and we find the Product to be defective in materials or workmanship, we will replace the Product with a product comparable in quality and value.

We reserve the right to change or discontinue our product ranges at any time without notice and without liability.

## **Exclusions**

This warranty does not apply if proper care and/or usage instructions are not followed. This warranty does not cover scratches, stains, discoloration or damage caused by misuse.

## **How to claim**

If a fault/defect is identified cease using the Product immediately. To make a claim on this guarantee, take the Product, proof of purchase and full details of the alleged defect to any Kitchen Warehouse store.

## **Limitations**

We make no express warranties or representations other than as set out in this guarantee. The replacement of the Product or the refund of the purchase price is the absolute limit of our liability under this guarantee.

# **everten**

Distributed by Kitchen Warehouse.

Everten is a registered trademark of Kitchen Warehouse Pty Ltd. The printed material appearing in this document and related packaging is protected by copyright.

### **Kitchen Warehouse Pty Ltd**

1 Pensioner Guard Road

North Fremantle, WA, 6159

[www.kitchenwarehouse.com.au](http://www.kitchenwarehouse.com.au)

1800 332 934

[customerservice@kitchenwarehouse.com.au](mailto:customerservice@kitchenwarehouse.com.au)